

DYMET ALLOYS SAW TIPS

Dymet Alloys offer a range of 'Ready to Braze' Tungsten Carbide Saw Tips.



- ◆ Grades:
 - Standard 6% cobalt.
 - Steel cutting and alternative grades available to special order.

- ◆ Quantity:
 - Saw Tips are available in multiples of 500-off.
 - Please note our minimum order value £50-00.

- ◆ Sizes:
 - Kerf sizes in the price list are usually ex-stock.
 - Other sizes available to special order, price on request.

Dymets Alloys specialise in manufacturing tungsten carbide products to individual customer specification. Other products / applications include Wear blocks, Bandsaw blade guides, shaped tips for cutter blades, cutters / burs and drills.



DYMET ALLOYS SAW TIP PRICE LIST

Grades:

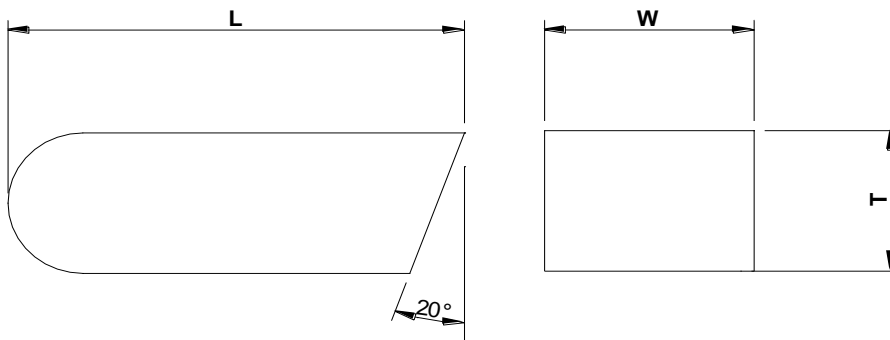
Standard 6% cobalt.
Steel cutting and alternative grades available to special order.

Quantity:

Saw Tips are available in multiples of 500-off.
Please note our minimum order value £50-00.

A-SERIES SAW TIPS READY TO BRAZE (dimensions in mm)

DYMET CODE	Length	KERF Width	Thickness	500-2000	2500-5000	>5500
A-085	9.5	2.1	3.2		POA	
A-095	9.5	2.4	3.2		POA	
A-105	9.5	2.7	3.2		POA	
A-115	9.5	2.9	3.2		POA	
A-125	9.5	3.2	3.2		POA	
A-135	9.5	3.4	3.2		POA	
A-145	9.5	3.7	3.2		POA	
A-155	9.5	3.9	3.2		POA	
A-165	9.5	4.2	3.2	£0.321	£0.282	£0.270
A-175	9.5	4.5	3.2		POA	
A-185	9.5	4.7	3.2		POA	
A-195	9.5	5	3.2		POA	
A-205	9.5	5.2	3.2	£0.357	£0.317	£0.305
A-215	9.5	5.5	3.2		POA	
A-225	9.5	5.7	3.2	£0.375	£0.335	£0.323





DYMET ALLOYS SAW TIP PRICE LIST

Grades:

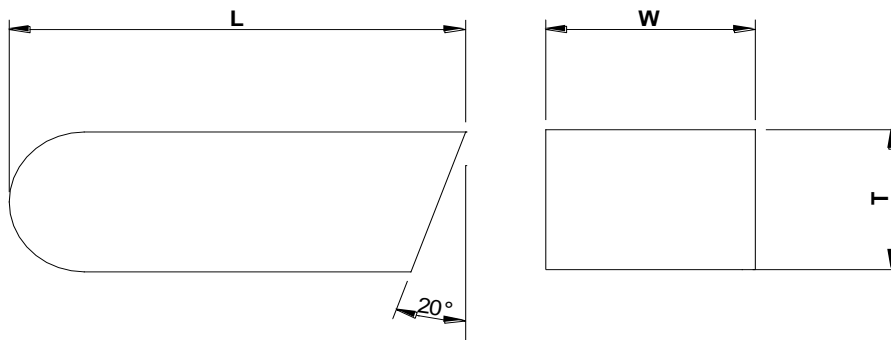
Standard 6% cobalt.
Steel cutting and alternative grades available to special order.

Quantity:

Saw Tips are available in multiples of 500-off.
Please note our minimum order value £50-00.

B-SERIES SAW TIPS READY TO BRAZE (dimensions in mm)

DYMET CODE	Length	KERF Width	Thickness	500-2000	2500-5000	>5500
B-085	8	2.1	2.6	POA		
B-095	8	2.4	2.6	POA		
B-105	8	2.7	2.6	POA		
B-115	8	2.9	2.6	POA		
B-125	8	3.2	2.6	POA		
B-135	8	3.4	2.6	POA		
B-145	8	3.7	2.6	POA		
B-155	8	3.9	2.6	£0.268	£0.229	£0.217
B-165	8	4.2	2.6	POA		
B-175	8	4.5	2.6	£0.283	£0.243	£0.231
B-185	8	4.7	2.6	£0.288	£0.248	£0.236
B-195	8	5	2.6	£0.295	£0.256	£0.244
B-205	8	5.2	2.6	POA		
B-215	8	5.5	2.6	£0.308	£0.268	£0.256
B-225	8	5.7	2.6	POA		





DYMET ALLOYS SAW TIP PRICE LIST

Grades:

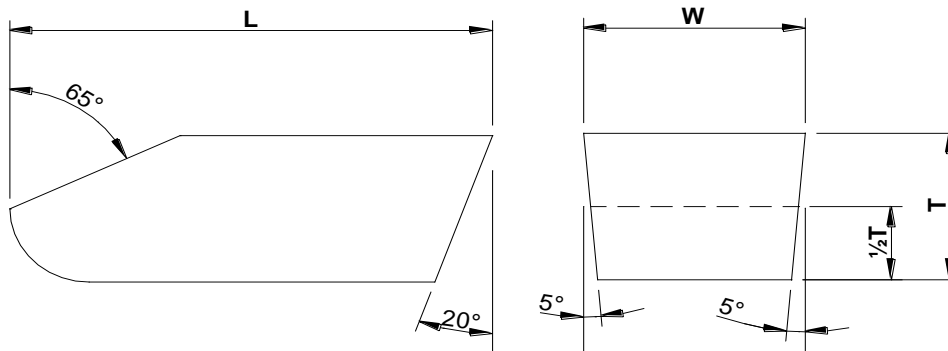
Standard 6% cobalt.
Steel cutting and alternative grades available to special order.

Quantity:

Saw Tips are available in multiples of 500-off.
Please note our minimum order value £50-00.

F-SERIES SAW TIPS READY TO BRAZE (dimensions in mm)

DYMET CODE	Length	KERF Width	Thickness	500-2000	2500-5000	>5500
F-085	9.5	2.1	3.2	POA		
F-095	9.5	2.4	3.2	POA		
F-105	9.5	2.7	3.2	POA		
F-115	9.5	2.9	3.2	POA		
F-125	9.5	3.2	3.2	POA		
F-135	9.5	3.4	3.2	POA		
F-145	9.5	3.7	3.2	£0.212	£0.175	£0.167
F-155	9.5	3.9	3.2	£0.218	£0.182	£0.173
F-165	9.5	4.2	3.2	POA		
F-175	9.5	4.5	3.2	£0.239	£0.202	£0.194
F-185	9.5	4.7	3.2	£0.245	£0.209	£0.200
F-195	9.5	5	3.2	POA		
F-205	9.5	5.2	3.2	£0.262	£0.226	£0.217
F-215	9.5	5.5	3.2	£0.272	£0.236	£0.227
F-225	9.5	5.7	3.2	£0.279	£0.242	£0.234
F-235	9.5	6	3.2	£0.289	£0.253	£0.244
F-245	9.5	6.2	3.2	POA		
F-255	9.5	6.5	3.2	POA		
F-265	9.5	6.7	3.2	POA		
F-275	9.5	7	3.2	POA		
F-285	9.5	7.2	3.2	POA		
F-295	9.5	7.5	3.2	POA		
F-305	9.5	7.7	3.2	POA		
F-315	9.5	8	3.2	POA		





DYMET ALLOYS SAW TIP PRICE LIST

Grades:

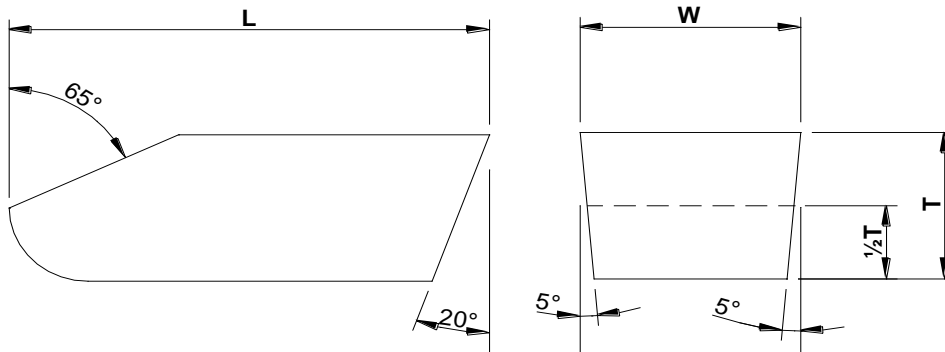
Standard 6% cobalt.
Steel cutting and alternative grades available to special order.

Quantity:

Saw Tips are available in multiples of 500-off.
Please note our minimum order value £50-00.

G-SERIES SAW TIPS READY TO BRAZE (dimensions in mm)

DYMET CODE	Length	KERF Width	Thickness	500-2000	2500-5000	>5500
G-085	8.7	2.1	2.6	POA		
G-095	8.7	2.4	2.6	POA		
G-105	8.7	2.7	2.6	POA		
G-115	8.7	2.9	2.6	POA		
G-125	8.7	3.2	2.6	£0.254	£0.215	£0.203
G-135	8.7	3.4	2.6	POA		
G-145	8.7	3.7	2.6	£0.267	£0.228	£0.216
G-155	8.7	3.9	2.6	£0.272	£0.233	£0.221
G-165	8.7	4.2	2.6	£0.280	£0.240	£0.228
G-175	8.7	4.5	2.6	£0.288	£0.248	£0.236
G-185	8.7	4.7	2.6	£0.293	£0.253	£0.241
G-195	8.7	5	2.6	£0.300	£0.261	£0.249
G-205	8.7	5.2	2.6	£0.305	£0.266	£0.254
G-215	8.7	5.5	2.6	£0.313	£0.274	£0.262
G-225	8.7	5.7	2.6	£0.318	£0.279	£0.267





DYMET ALLOYS SAW TIP PRICE LIST

Grades:

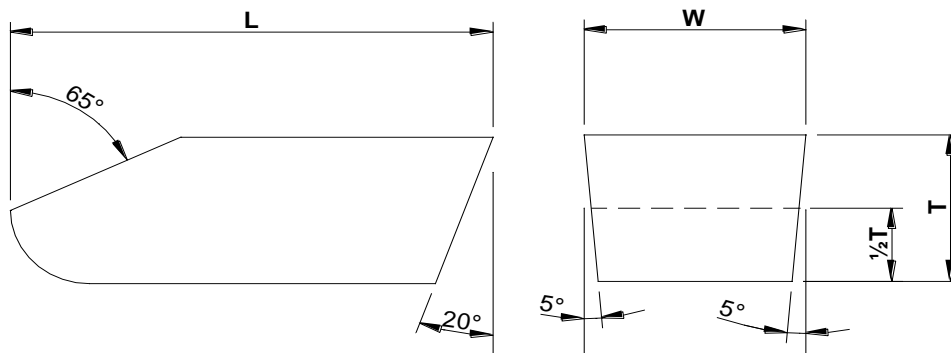
Standard 6% cobalt.
Steel cutting and alternative grades available to special order.

Quantity:

Saw Tips are available in multiples of 500-off.
Please note our minimum order value £50-00.

H-SERIES SAW TIPS READY TO BRAZE (dimensions in mm)

DYMET CODE	Length	KERF Width	Thickness	500-2000	2500-5000	>5500
H-085	8	2.1	2.6	POA		
H-095	8	2.4	2.6	POA		
H-105	8	2.7	2.6	POA		
H-115	8	2.9	2.6	£0.155	£0.119	£0.110
H-125	8	3.2	2.6	£0.162	£0.125	£0.117
H-135	8	3.4	2.6	POA		
H-145	8	3.7	2.6	£0.173	£0.137	£0.128
H-155	8	3.9	2.6	£0.178	£0.142	£0.133
H-165	8	4.2	2.6	£0.185	£0.149	£0.140
H-175	8	4.5	2.6	£0.192	£0.156	£0.147
H-185	8	4.7	2.6	£0.196	£0.160	£0.151
H-195	8	5	2.6	£0.203	£0.167	£0.158
H-205	8	5.2	2.6	£0.208	£0.172	£0.163
H-215	8	5.5	2.6	£0.215	£0.179	£0.170
H-225	8	5.7	2.6	£0.220	£0.183	£0.174
H-235	8	6	2.6	POA		
H-245	8	6.2	2.6	POA		
H-255	8	6.5	2.6	POA		
H-265	8	6.7	2.6	POA		
H-275	8	7	2.6	POA		
H-285	8	7.2	2.6	POA		
H-295	8	7.5	2.6	POA		
H-305	8	7.7	2.6	POA		
H-315	8	8	2.6	POA		





DYMET ALLOYS SAW TIP PRICE LIST

Grades:

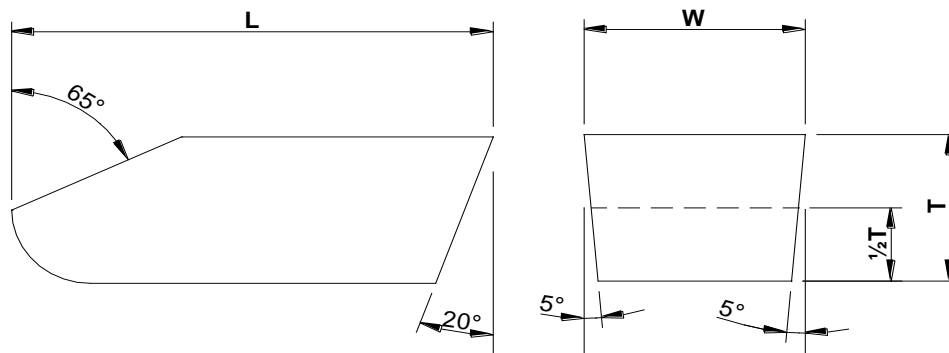
Standard 6% cobalt.
Steel cutting and alternative grades available to special order.

Quantity:

Saw Tips are available in multiples of 500-off.
Please note our minimum order value £50-00.

J-SERIES SAW TIPS READY TO BRAZE (dimensions in mm)

DYMET CODE	Length	KERF Width	Thickness	500-2000	2500-5000	>5500
J-085	8	2.1	2	POA		
J-095	8	2.4	2	POA		
J-105	8	2.7	2	POA		
J-115	8	2.9	2	POA		
J-125	8	3.2	2	POA		
J-135	8	3.4	2	£0.151	£0.115	£0.106
J-145	8	3.7	2	£0.157	£0.121	£0.112
J-155	8	3.9	2	£0.161	£0.125	£0.116
J-165	8	4.2	2	£0.166	£0.130	£0.121
J-175	8	4.5	2	£0.172	£0.136	£0.127
J-185	8	4.7	2	£0.176	£0.140	£0.131
J-195	8	5	2	£0.181	£0.145	£0.136
J-205	8	5.2	2	£0.185	£0.149	£0.140
J-215	8	5.5	2	£0.191	£0.155	£0.146
J-225	8	5.7	2	POA		
J-235	8	6	2	POA		
J-245	8	6.2	2	POA		
J-255	8	6.5	2	POA		
J-265	8	6.7	2	POA		
J-275	8	7	2	POA		
J-285	8	7.2	2	POA		
J-295	8	7.5	2	POA		
J-305	8	7.7	2	POA		
J-315	8	8	2	POA		





DYMET ALLOYS SAW TIP PRICE LIST

Grades:

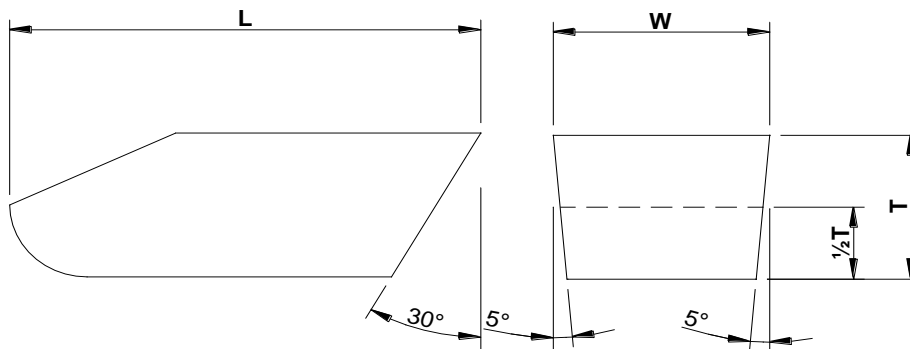
Standard 6% cobalt.
Steel cutting and alternative grades available to special order.

Quantity:

Saw Tips are available in multiples of 500-off.
Please note our minimum order value £50-00.

P-SERIES SAW TIPS READY TO BRAZE (dimensions in mm)

DYMET CODE	Length	KERF Width	Thickness	500-2000	2500-5000	>5500
P-125	11	3.2	3.6	POA		
P-135	11	3.4	3.6	POA		
P-145	11	3.7	3.6	POA		
P-155	11	3.9	3.6	£0.252	£0.215	£0.207
P-165	11	4.2	3.6	£0.264	£0.228	£0.219
P-175	11	4.5	3.6	£0.277	£0.241	£0.232
P-185	11	4.7	3.6	£0.285	£0.249	£0.240
P-195	11	4.9	3.6	£0.294	£0.258	£0.249
P-205	11	5.2	3.6	£0.306	£0.270	£0.261
P-215	11	5.4	3.6	£0.315	£0.279	£0.270
P-225	11	5.7	3.6	£0.327	£0.291	£0.282
P-235	11	6	3.6	£0.340	£0.304	£0.295
P-245	11	6.2	3.6	£0.348	£0.312	£0.303
P-255	11	6.5	3.6	£0.361	£0.325	£0.316
P-265	11	6.7	3.6	POA		
P-275	11	7	3.6	£0.382	£0.346	£0.337
P-285	11	7.2	3.6	£0.390	£0.354	£0.345
P-295	11	7.5	3.6	£0.403	£0.367	£0.358
P-305	11	7.8	3.6	£0.416	£0.379	£0.371
P-315	11	8	3.6	£0.424	£0.388	£0.379
P-325	11	8.3	3.6	£0.437	£0.400	£0.392
P-335	11	8.5	3.6	£0.445	£0.409	£0.400





DYMET ALLOYS SAW TIP PRICE LIST

Grades:

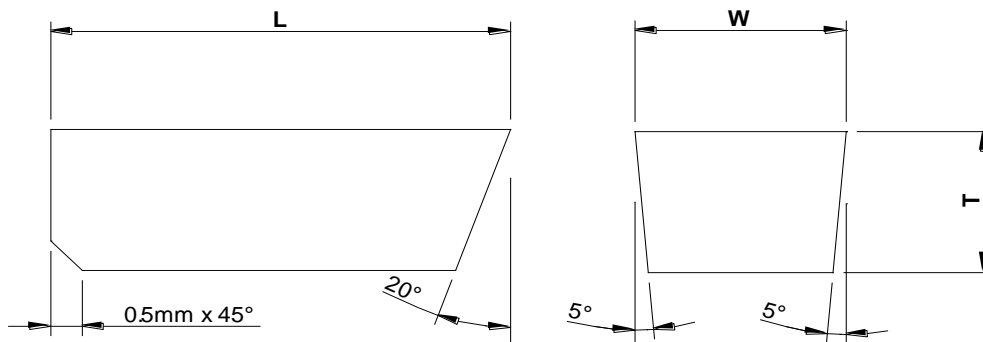
Standard 6% cobalt.
Steel cutting and alternative grades available to special order.

Quantity:

Saw Tips are available in multiples of 500-off.
Please note our minimum order value £50-00.

N-SERIES SAW TIPS READY TO BRAZE (dimensions in mm)

DYMET CODE	Length	KERF Width	Thickness	500-2000	2500-5000	>5500
N-085	9.5	2.1	3.2		POA	
N-095	9.5	2.4	3.2		POA	
N-105	9.5	2.7	3.2		POA	
N-115	9.5	2.9	3.2		POA	
N-125	9.5	3.2	3.2		POA	
N-135	9.5	3.4	3.2		POA	
N-145	9.5	3.7	3.2		POA	
N-155	9.5	3.9	3.2		POA	
N-165	9.5	4.2	3.2		POA	
N-175	9.5	4.5	3.2		POA	
N-185	9.5	4.7	3.2		POA	
N-195	9.5	5	3.2		POA	
N-205	9.5	5.2	3.2		POA	
N-215	9.5	5.5	3.2		POA	
N-225	9.5	5.7	3.2		POA	
N-235	9.5	6	3.2		POA	
N-245	9.5	6.2	3.2		POA	
N-255	9.5	6.5	3.2		POA	
N-265	9.5	6.7	3.2		POA	
N-275	9.5	7	3.2		POA	
N-285	9.5	7.2	3.2		POA	
N-295	9.5	7.5	3.2		POA	
N-305	9.5	7.8	3.2		POA	
N-315	9.5	8	3.2		POA	





DYMET ALLOYS SAW TIP PRICE LIST

Grades:

Standard 6% cobalt.
Steel cutting and alternative grades available to special order.

Quantity:

Please note our minimum order value £50-00.

GROOVER TIPS READY TO BRAZE

DYMET CODE	Length	KERF Width	Thickness	0 - 100	101 - 500	>501
A-0200	12.8	2MM	4.3	£0.477	£0.332	£0.260
A-0300	12.8	3MM	4.3	£0.538	£0.393	£0.322
A-0317	12.8	1/8"	4.3	£0.546	£0.401	£0.329
A-0400	12.8	4MM	4.3	£0.600	£0.454	£0.383
A-0476	12.8	3/16"	4.3	£0.646	£0.501	£0.429
A-0500	12.8	5MM	4.3	£0.661	£0.516	£0.444
A-0600	12.8	6MM	4.3	£0.722	£0.577	£0.505
A-0635	12.8	1/4"	4.3	£0.743	£0.598	£0.527
A-0700	12.8	7MM	4.3	£0.783	£0.638	£0.566
A-0794	12.8	5/16"	4.3	£0.841	£0.695	£0.624
A-0953	12.8	3/8"	4.3	£0.936	£0.791	£0.719
A-1000	12.8	10MM	4.3	£0.967	£0.821	£0.750
A-1111	12.8	7/16"	4.3	£1.034	£0.889	£0.817
A-1200	12.8	12MM	4.3	£1.089	£0.944	£0.872
A-1270	12.8	1/2"	4.3	£1.132	£0.987	£0.915
A-1300	12.8	13MM	4.3	£1.150	£1.005	£0.933
A-1429	12.8	9/16"	4.3	£1.229	£1.084	£1.012
A-1588	12.8	5/8"	4.3	£1.328	£1.182	£1.111
A-1748	12.8	11/16"	4.3	£1.423	£1.278	£1.206
A-1800	12.8	18MM	4.3	£1.456	£1.311	£1.239
A-1905	12.8	3/4"	4.3	£1.520	£1.375	£1.303

Other sizes are available to special order. Price on application.

