

# Company Profile

**Dymet Alloys** specialise in the production of Tungsten Carbide Hard Metal Products. With over 45 years experience we offer our customers an extensive range of ISO standard and special tungsten carbide grades to meet the individual specifications and requirements for wear components.

**Dymet Alloys** mechanically retain Tungsten Carbide components in steel housings by interference fitting. We also have the facilities for induction or gas brazing and adhesive bonding.

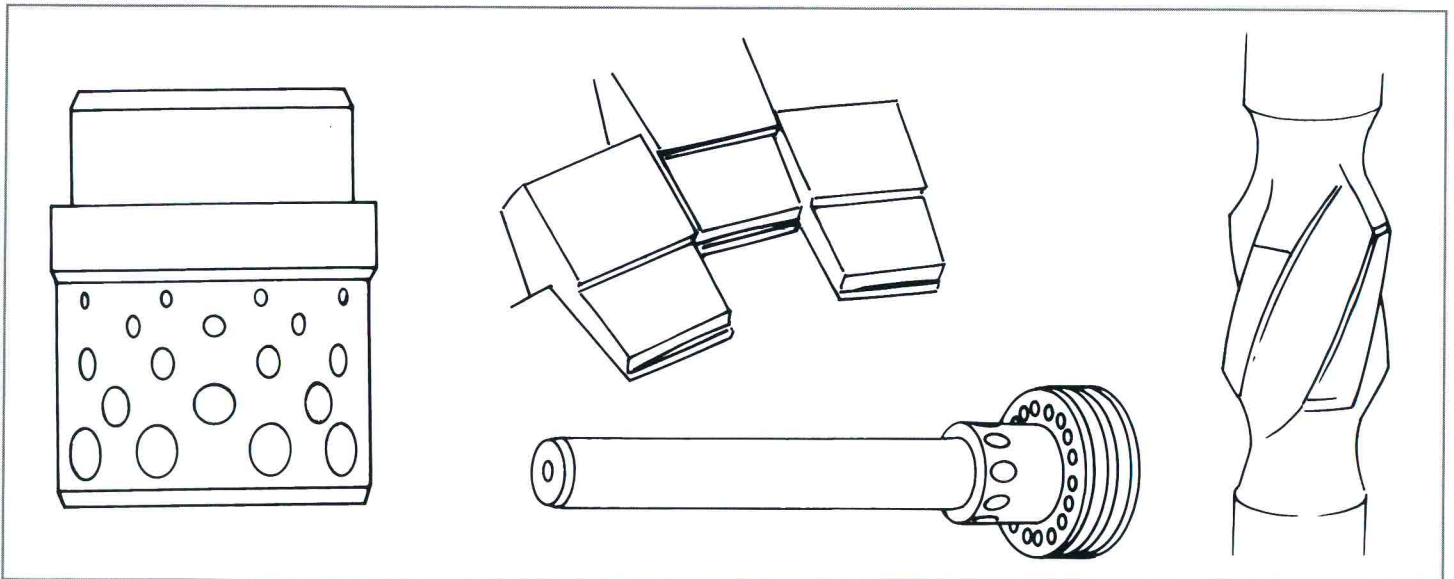
## Our Products

*Our facilities and expertise allow us to offer :*

- ◆ Individual grade powders blended in house using quality raw materials.
- ◆ Cobalt and Nickel binders for a wide range of industrial applications.
- ◆ Over 20 grades available including sub - micron grades.
- ◆ Components manufactured by automatic pressing, isostatic pressing and customised shaping from pre - sintered blocks.
- ◆ Individual sizes up to 200mm (8" inch) diameter and 50 kg in weight.
- ◆ Cylindrical and flat, sintered or finish ground components and assemblies.
- ◆ Vacuum sintering to control material composition.

*We specialise in the manufacture of :*

- ◆ Flow Trim and Seat components and assemblies.
- ◆ Centrifuge Tile assemblies.
- ◆ Valve and Gauge components.
- ◆ Stabiliser inserts.
- ◆ Plungers.



## Technical Support

We offer advice and guidance with grade selection, product design and application. Our laboratory is specially equipped to assist in prototype development and experimental research projects to optimise product life.

## Quality

**Dymet** follow strict quality procedures. Our manufacturing processes comply with the relevant (British Standard Institute) standards for tungsten carbide hard metal production and allow full traceability and certification. Non destructive evaluation can be undertaken when required.

**Dymet** products and manufacturing processes are constantly under review to ensure the highest possible standards of performance and customer satisfaction.

## DYMET ALLOYS

**Dymet Alloys** combine with Corewire and CPV Limited to form the CPV Group of businesses specialising in the manufacture of Hard Metal, Hard Facing and Plastic products to the engineering industry.

**Dymet Alloys** can be contacted at Station Road West, Ash Vale, Hampshire GU12 5QT England and on  
Tel: 01252 517651. Fax: 01252 522517 or Email: [dymet@AOL.com](mailto:dymet@AOL.com)